

# S12 PRO



## PRODUCT FEATURES

- 12" active bass reflex subwoofer
- 800 W peak class-D power amp
- DSP with LCD Display 48 kHz, 24-bit processor
- DSP Presets for cardioid and end-fire setups with M-F3A PRO
- Two-point SE stacking system
- Available in black and white

## SPECIFICATIONS

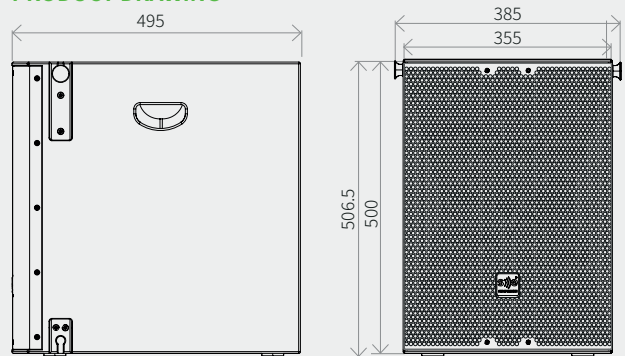
ELECTRO-ACOUSTICAL	
Low cut-off frequency (-6 dB)	40 Hz
Maximum Peak SPL *	133 dB
Coverage	Omnidirectional
Enclosure	Vented box
Transducers	1 x 12" driver with ferrite magnet and 3" voice coil
AMPLIFICATION	
Connectors	Input signal: balanced XLR 3-pin female Link output: balanced XLR 3-pin male Power input: powerCON® 20A Power link output: powerCON® 20A
Input sensitivity	0 dBu
Type	2 channel, class-D with SMPS
Power	800 W
Protection	Short circuit, overheating, overcurrent
Cooling	16 cm x 23 cm heat sink
DSP	48 kHz/24-bit with extended dynamics Processing latency: 1.1 ms
Processing	Factory and user presetsEQ, delay, phase inversion
Control	Power: ON/OFF switch DSP: display with digital encoder
MECHANICAL	
Stacking	Two-point SE AUDIOTECHNIK stacking system
Cabinet	15 mm plywood, black or white polyurea coating
Dimensions [H x W x D] (Including rigging)	507 x 385 x 495 mm
Weight	23 kg
Hardware	Two side grips embedded in cabinet, 4 rubber feet and top slots for stacking, M20 pole thread

\* Measured with 12 dB Crest factor Pink Noise, whole space / half space

## PRODUCT DESCRIPTION

Single 12" Subwoofer in a bass reflex housing with 800 W Class-D amplifier with DSP and LCD display, factory presets for M-F3A PRO, cardioid and endfire arrays, and free configuration. Protection from short circuit, over-heating and over-current. Two-point rigging system.

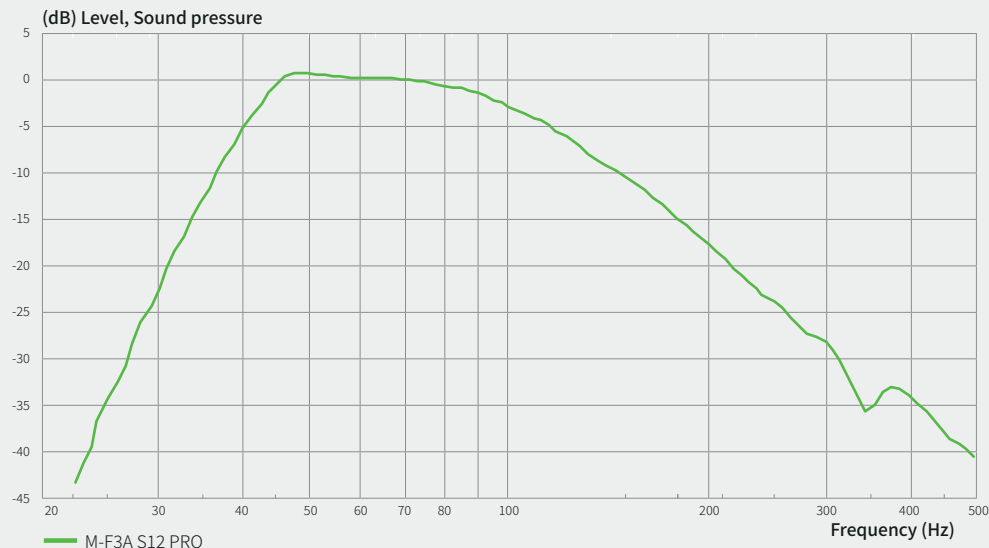
## PRODUCT DRAWING



## ACCESSORIES

M-F3A S12 PRO SFI	Ground stacking frame
Amplifier rain cover	Detachable rain cover for S12 PRO
M-F3A SUB FC	Subwoofer Flight Case (for 2 pcs. of M-F3A S12 PRO)
SPS20	Speaker Box Pole Support M20

## FREQUENCY RESPONSE CURVE



Version 2022/08